

## Report of Bridge Survey Eleventh Coast Guard District Bridge Office

Instructions

1. Submit this report to the Auxiliary Coordinator as soon as possible after conducting the survey.
2. The best time to survey bridges is shortly before sunset so you can observe any hazards or discrepancies before dark, then observe the lights after dark.
3. If conducting the survey by land, respect all property rights. DO NOT TRESPASS.
4. Auxiliaries do not have law enforcement authority. Take care that your survey is not interpreted as a law enforcement action.
5. Any discrepancy, minor or major, should be reported immediately to the D11 Bridge Office at (510) 437-3516, Monday through Friday, during working hours or to the nearest Coast Guard Sector Command Center, by telephone or radiotelephone, during nights, weekends, and holidays. If in doubt, report it.

<u>NAME OF BRIDGE</u> FOURTH STREET BRIDGE	<u>LATITUDE</u> 37° 46.7' N	<u>LONGITUDE</u> 122° 23.4' W
<u>NAME OF WATERWAY</u> MISSION CREEK	<u>MILES ABOVE MOUTH</u> 0.2	<u>TYPE OF BRIDGE</u> B
<u>NAME/ADDRESS OF BRIDGE OWNER</u> City and County of San Francisco City Hall San Francisco, CA 94102	<u>NAME ADDRESS OF BRIDGE OPERATOR (if different)</u> San Francisco Department of Public Works	

Fill out the section below and annotate the picture on the reverse. Show north arrow or direction of current

TYPE OF LIGHTS	Number of Lights	Are Lights Correctly Placed?	Are Lights of Proper Color/ Arc?	Are Lights Visible for 1 Nautical Mile	State Condition of Lights
Channel Center Lights	0				
Margin of Channel Lights	0				
Pier Lights	4				
Pier Axis Lights	0				
Moveable Span Lights	2				
Preferred Channel Lights	0				
OTHER FEATURES	How Many?	LLNR	Characteristic	Range	Working Properly?
Fog Signals	0	0	N/A	N/A	
RACONS	0	0	N/A	N/A	

Condition of fenders: Condition of Vertical Clearance Gauges:

Is the bridge name shown? What name is shown? Is sign visible to mariners?

Are Navigational clearances impaired by disrepair, cables, etc?

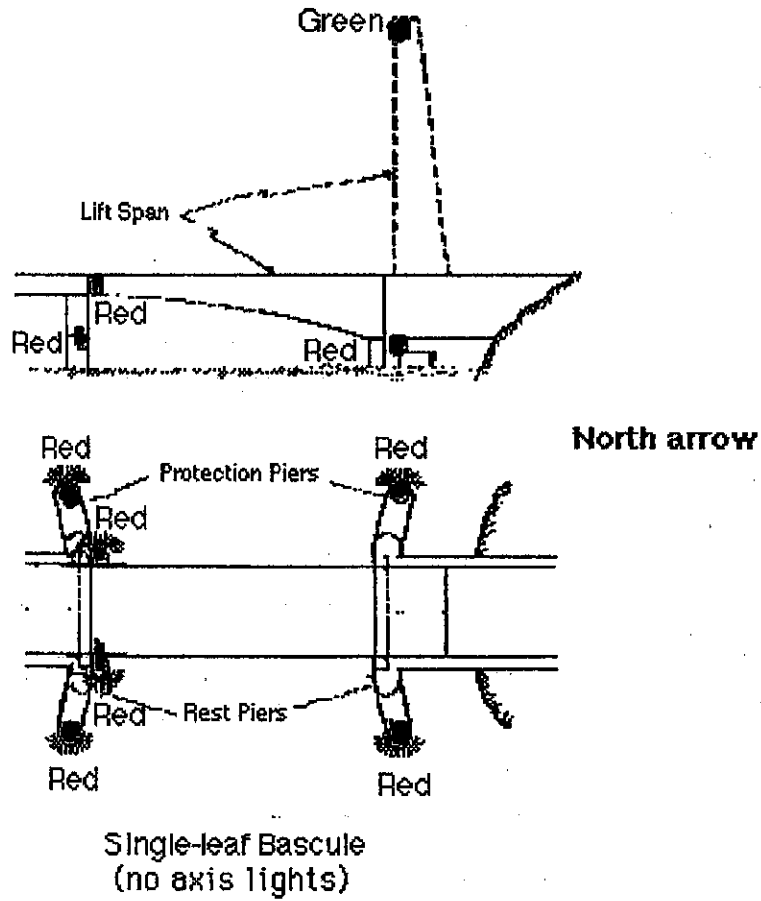
Are Navigational Clearances impaired by an accumulation of debris?

Is there any equipment (i.e. barges, scaffolds) in the navigation spans that are not listed in the LNM/BNM?

If a drawbridge, is it capable of operating? Are the operating regulations and radio call sign posted?

Is there evidence of bridge or fender damage that might be from vessels?

Date and Time of Survey	Name and Member Number	Home Telephone Number
	Signature of Surveyor	Auxiliary File Number 12



Comments: